

Technical specifications of ESC

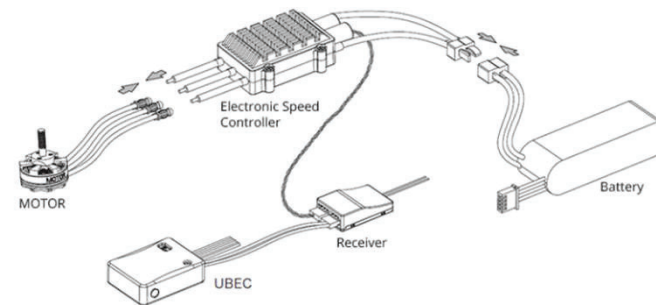


MODEL: Rest MDT80A 12S



Technical specifications :

Dimensions (LxWxH)	84x35.5x19.5 mm
Weight	109.9 g
Maximum current	120A (10s)
Operating voltage	12S Lipo range (44.4÷50.4 VDC)
Operating humidity	15÷85%
Operating temperature	-20÷65 °C
Waterproof and dustproof standard	IP57



Restech Group LLC

Address: 16192 Coastal Highway, Lewes,
Delaware 19958, County of Sussex, USA
Email: sales@res-technologies.com